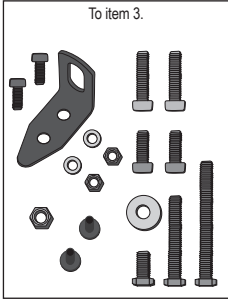
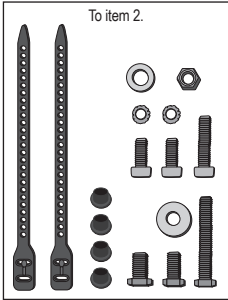
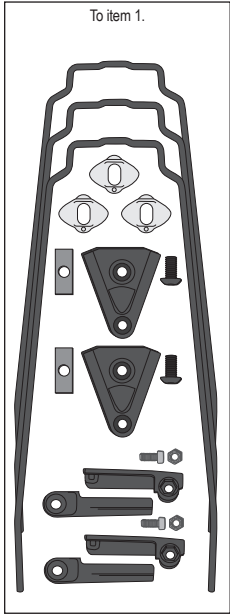


## Parts

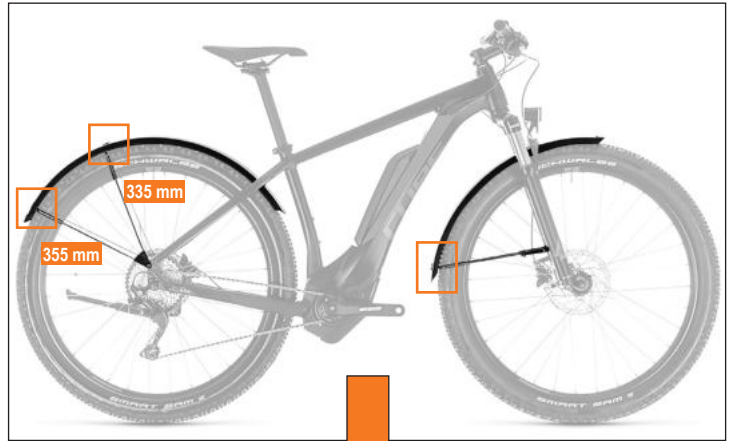
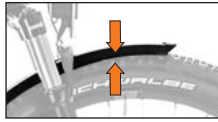
Various parts for stay-assembling

Various parts for mounting the fenders

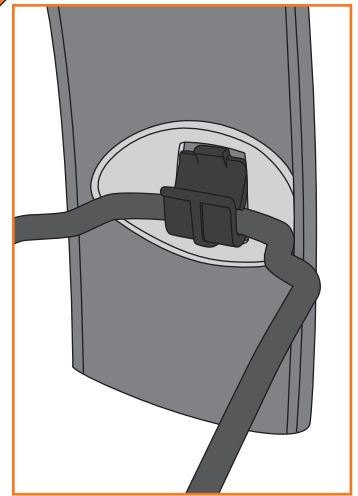
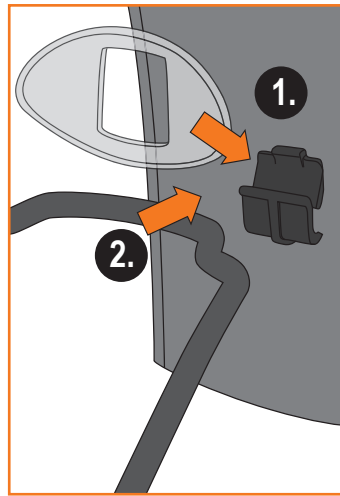
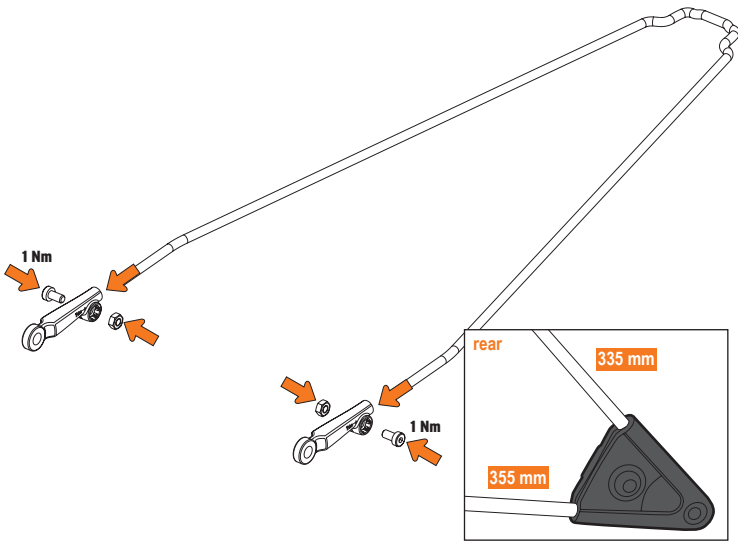
Spacers for:  
 ▶ Forks with disc brakes  
 ▶ Frame mounting rear  
 Optional



**ATTENTION!**  
 Keep the minimum distance of 15 mm between fender and tyre.

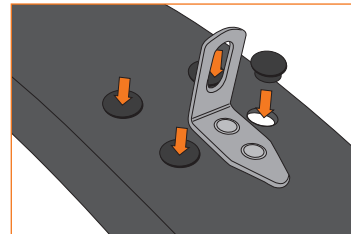


### 1. Stay-assembling front + rear

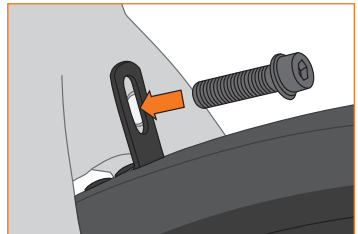


### 2. Frame mounting front

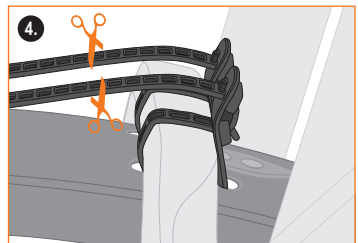
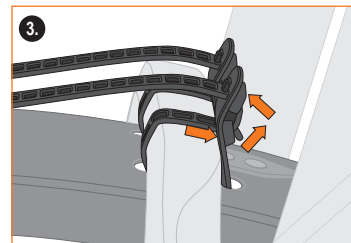
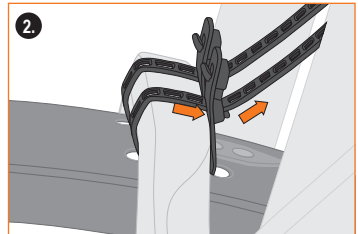
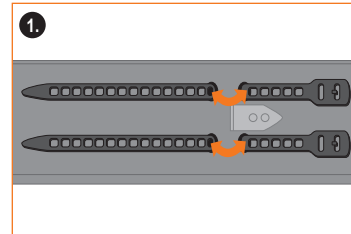
#### 2.1 Mounting the front plugs



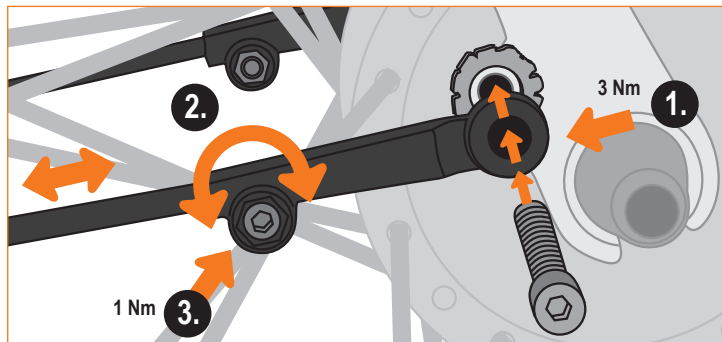
#### 2.1.1 Bracket-fitting front



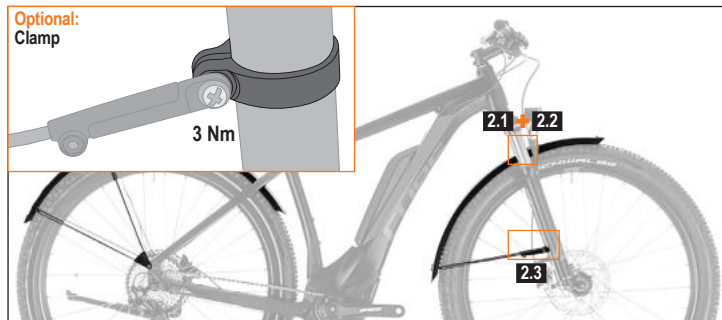
#### 2.2 Optional . fitting straps front



### 2.3 Stay attachment front incl. lengths adjustments of the stays



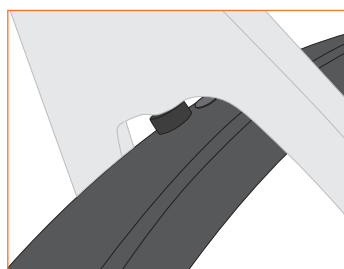
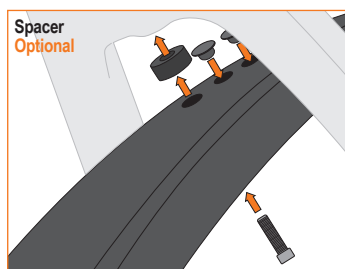
Optional:  
Clamp



## 3. Frame mounting rear

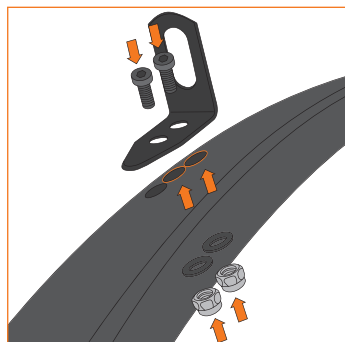
### 3.1 Remove the rear wheel

### 3.2 Mounting the rear mudguard onto the frame direct by screwing it on at an angle of 0°

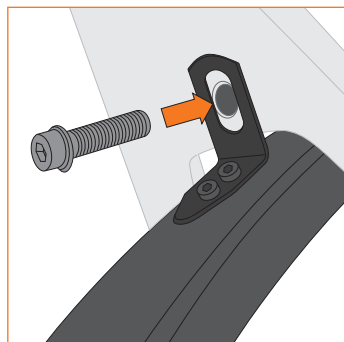


### 3.3 Mounting with an angle of 90°

#### 3.3.1 Screw the bracket

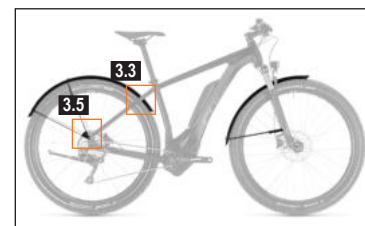
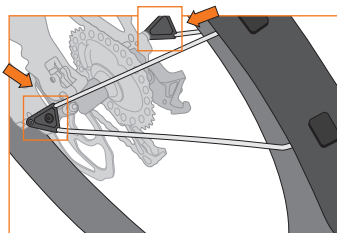


#### 3.3.2 Screw the fender on the frame

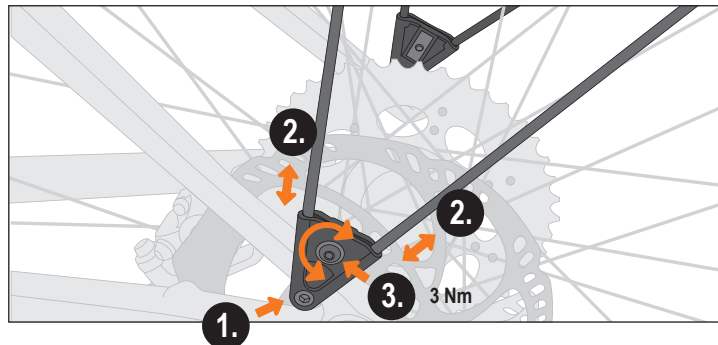


### 3.4 Remount the rear wheel

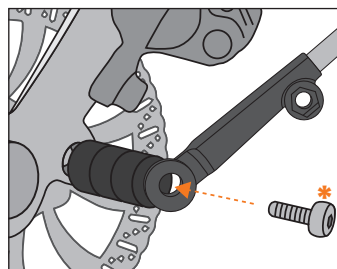
### 3.5 Rear stay assembling



### 3.5.1 Stay attachment rear incl. lengths adjustments of the stays



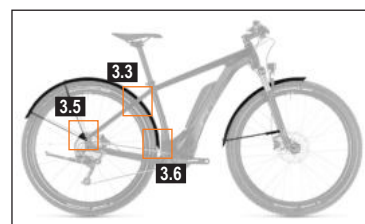
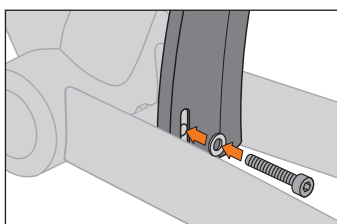
### ATTENTION OPTIONAL! Mounting of spacers for frames with disc brakes



\* Screw is not included in the scope of delivery

## Additional assembly with: BLUEMELS 75 U LONG

### 3.6 Mounting at the bottom bracket



## ACCESSORIES:



**11259** Suspension fork mounts for Rock Shox and Suntour



**11260** Suspension fork mounts for Rock Shox and Suntour, angled